

Precision²
of B-K Lighting

the power of

DR²™

BKSSL
 SOLID STATE LIGHTING

Remote Transformer (RS)

PROJECT:	
TYPE:	
CATALOG NUMBER:	
SOURCE:	
NOTES:	

CATALOG NUMBER LOGIC

[GET A QUOTE >](#)

Example **B** - **DR2** - **LED** - **RS** - **e57** - **MIT** - **4**

Material
Blank - Aluminum
B - Brass
S - Stainless Steel

Faceplate
DR2 - Drive Star 2™

Source
LED - 'e' Technology with Integral Dimming Driver (25W min. load when dimmed)
Designed for use with remote 12VAC BKSSL transformers. Requires magnetic Low Voltage dimmer.*

Housing
RS - Remote Shallow Housing (Requires Remote Transformer)

LED Type
e57 - 6WLED/2.7K
e58 - 6WLED/3K
e59 - 6WLED/4K

Finish

Aluminum & Brass Faceplates			Brass Faceplates		Premium Finish		
Powder Coat Color	Satin	Wrinkle	Machined	MAC	ABP Antique Brass Powder	CMG Cascade Mountain Granite	RMG Rocky Mountain Granite
Bronze	BZP	BZW	Polished	POL	AMG Aleutian Mountain Granite	CRI Cracked Ice	SDS Sonoran Desert Sandstone
Black	BLP	BLW	Mitique™	MIT	AQW Antique White	CRM Cream	SMG Sierra Mountain Granite
White (Gloss)	WHP	WHW	Stainless Faceplates		BCM Black Chrome	HUG Hunter Green	TXF Textured Forest
Aluminum	SAP	—	Machined	MAC	BGE Beige	MDS Mojave Desert Sandstone	WCP Weathered Copper
Verde	—	VER	Polished	POL	BPP Brown Patina Powder	NBP Natural Brass Powder	WIR Weathered Iron
			Brushed	BRU <small>Interior use only.</small>	CAP Clear Anodized Powder	OCP Old Copper	<i>Also available in RAL Finishes See submittal SUB-1439-00</i>

Optical Openings
1 - Single **2** - 2 at 180° **4** - 4 at 90°

DRIVER DATA	Input Volts 12VAC/DC 50/60Hz	InRush Current 250mA. Max. (non-dimmed) Magnetic Low Voltage Dimmer	Operation Ambient Temperature -10°F-130°F
--------------------	--	---	---

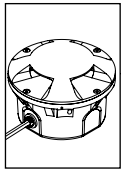
LM79 DATA

BK No.	CCT (Typ.)	Input Watts (Typ.)	CRI (Typ.)
e57	2700K	6	80
e58	3100K	6	80
e59	4000K	6	80

L70 DATA

Minimum Rated Life (hrs.) 70% of initial lumens (L70)
50,000
50,000
50,000

THIS DOCUMENT CONTAINS PROPRIETARY INFORMATION OF B-K LIGHTING, INC. AND ITS RECEIPT OR POSSESSION DOES NOT CONVEY ANY RIGHTS TO REPRODUCE, DISCLOSE ITS CONTENTS, OR TO MANUFACTURE, USE OR SELL ANYTHING IT MAY DESCRIBE. REPRODUCTION, DISCLOSURE OR USE WITHOUT SPECIFIC WRITTEN AUTHORIZATION OF B-K LIGHTING, INC. IS STRICTLY FORBIDDEN.



Precision²
PART OF B-K LIGHTING

BKSSL
SOLID STATE LIGHTING

Remote Transformer (RS)

the power of

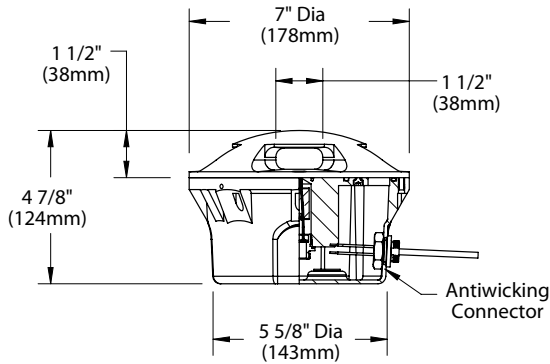


DR²™

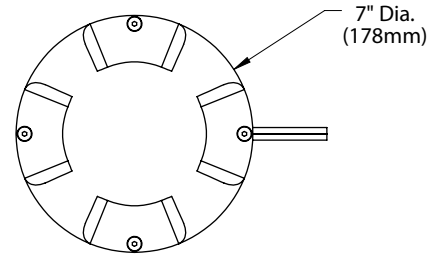
PROJECT:

TYPE:

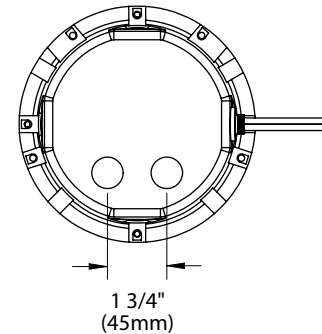
SIDE VIEW



FACEPLATE



BOTTOM VIEW



All dimensions indicated on this submittal are nominal.
Contact Technical Sales if you require more stringent specifications.

SPECIFICATIONS

GreenSource Initiative™

Metal and packaging components are made from recycled materials. Manufactured using renewable solar energy, produced on site. Returnable to manufacturer at end of life to ensure cradle-to-cradle handling. Packaging contains no chlorofluorocarbons (CFC's). Use of this product may qualify for GreenSource efficacy and recycling rebate(s). Consult www.bklighting.com/greensource for program requirements.

Fixture Housing

Corrosion-free composite, made from high strength, thermo-formed, sheet molded polyester compound. Glass reinforced, flame retardant and UV stabilized. Pre-wired, fully potted antiwicking connector. 2 wire low voltage cable extends 5' from side flats of fixture housing to facilitate external wire splice.

BKSSL®

Integrated solid state system with 'e' technology is scalable for field upgrade. Modular design with electrical quick disconnects permit field maintenance. High power, forward throw source complies with ANSI C78.377 binning requirements. Exceeds ENERGY STAR® lumen maintenance requirements. LM-80 certified components.

Integral, constant current driver. 12VAC/VDC input. 50/60Hz. Proprietary input control scheme achieves power factor correction and eliminates inrush current. Output, over-voltage, open-circuit, and short circuit protected. Inrush current limited to 250mA. (non-dimming). Conforms to Safety Std. C22.2 No. 250.13-12.

Line dimmable via remote magnetic transformer and MLV dimmable controller. Minimum 25 watt load required for dimming.

Installation

For direct burial in soil or concrete. Consult Drainage Installation Guide for In-Grade Fixtures (DIG-IT) for compliance with proper soil preparation and drainage requirements prior to installation.

Remote Transformer

For use with 12VAC BKSSL remote transformer or magnetic transformers only. B-K Lighting cannot guarantee performance with third party manufacturers' transformers.

Wiring / Connectors

Teflon® coated wire, 18 gauge, 600V, 250°C rated and certified to UL1659 standard.

Water Management

Self Evacuating Airtight Lamp Module (S.E.A.L.™). IP-66 rated. Patented High temperature silicone 'O' Ring at faceplate.

Lens

High heat, shock resistant, 1/8" etched Pyrex® glass lens.

Faceplate

Solid, 1-1/2" machined 6061T6 aluminum with (4) black oxide, captive, stainless steel mounting screws. Faceplate options include solid, 1-1/2" machined brass and solid, 1-1/2" machined stainless steel. Suitable for walk-over and drive-over applications to 35,000 lbs.

Finish

StarGuard®, our exclusive RoHS compliant, 15 stage chromate-free process cleans and conversion coats aluminum components prior to application of Class 'A' TGIC polyester powder coating. Brass components are available in powder coat or handcrafted metal finish. Stainless steel components are available in handcrafted metal finish. (Brushed finish for interior use only).

Warranty

5 year limited warranty.

Listings

ETL Listed to ANSI/UL Standard 1598 and Certified to CAN/CSA Standard C22.2 No. 250. ADA compliant. IP66 Rated. Made in the USA.



*Teflon is a registered trademark of DuPont Corporation
*Energy Star is a registered trademark of the United States Environmental Protection Agency.

B-K LIGHTING

40429 Brickyard Drive • Madera, CA 93636 • USA
559.438.5800 • FAX 559.438.5900
www.bklighting.com • info@bklighting.com

RELEASED
03-24-15

DRAWING NUMBER
SUB-2180-00

Precision2® and its features are covered in whole or in part by U.S. Patent Nos. 7,033,038; 6,254,258 B1; 7,249,867 B2; 7,370,988 B2; 7,553,042; 7,560,148; and 7,699,489.